

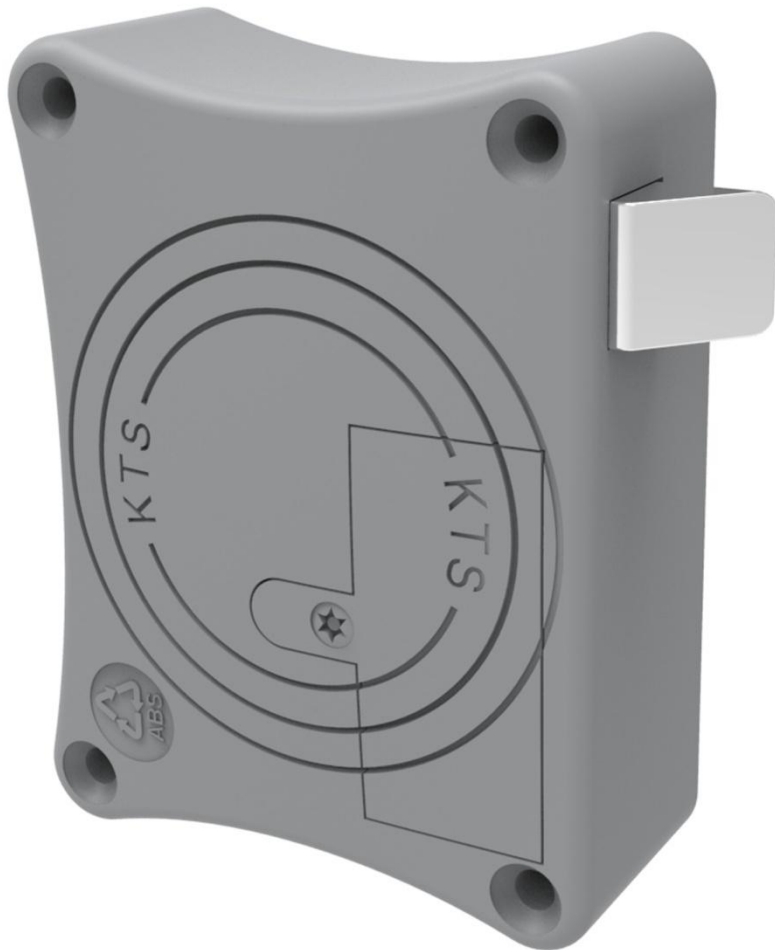
The logo for KEYA, featuring the word "KEYA" in a stylized, white, geometric font. The letters are composed of straight lines and sharp angles, giving it a modern, architectural feel. A small registered trademark symbol (®) is located at the top right of the letter 'A'.

KEYA[®]

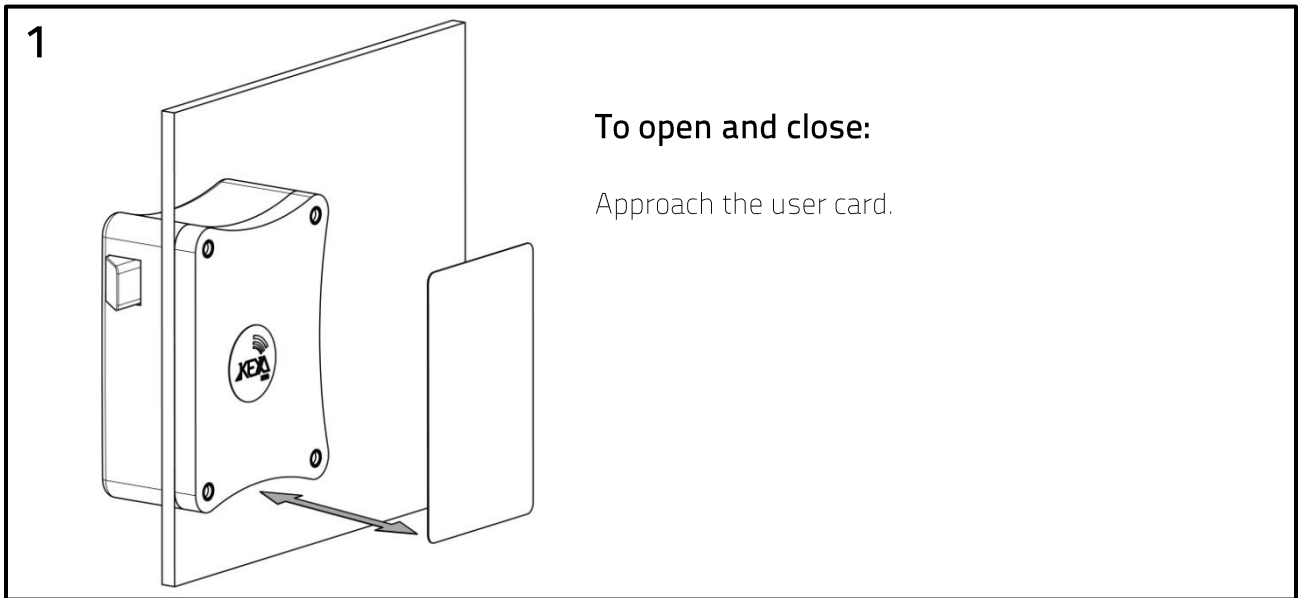
UNLOCK INNOVATION

The logo for KTS, consisting of the letters "KTS" in a clean, white, sans-serif font. The background of the entire page is a gradient of blue, with decorative white lines that form a wave-like pattern on the right side and a series of parallel lines on the left side, creating a sense of motion and technology.

KTS

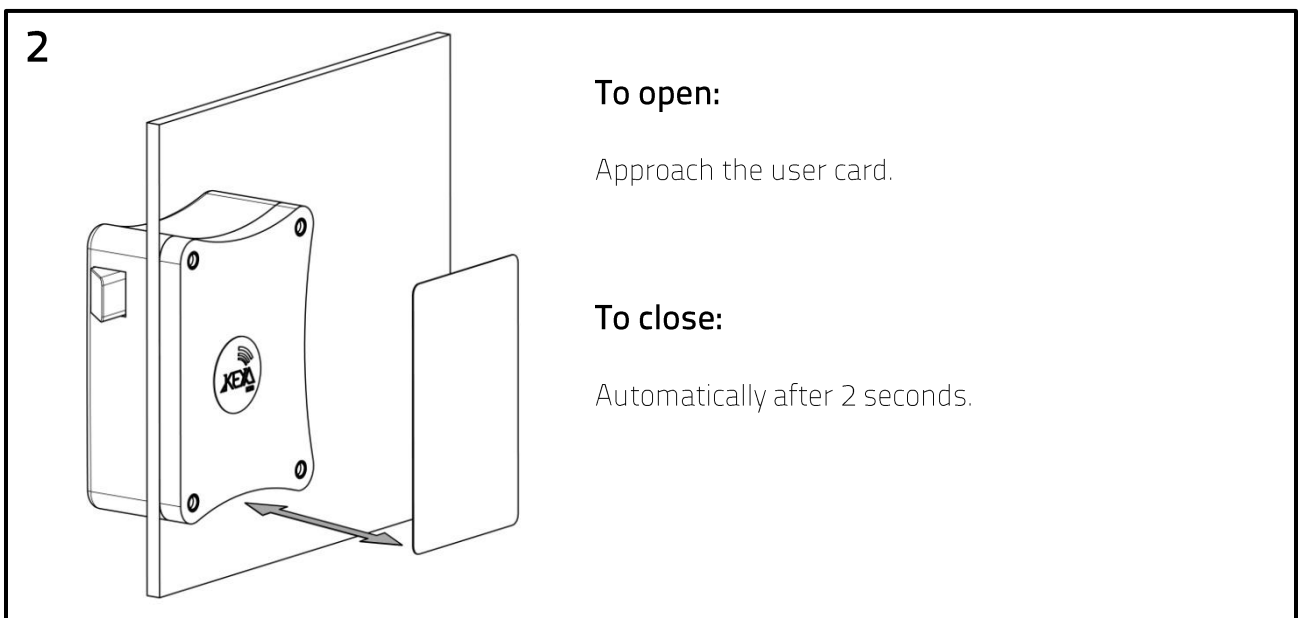


Multuser mode



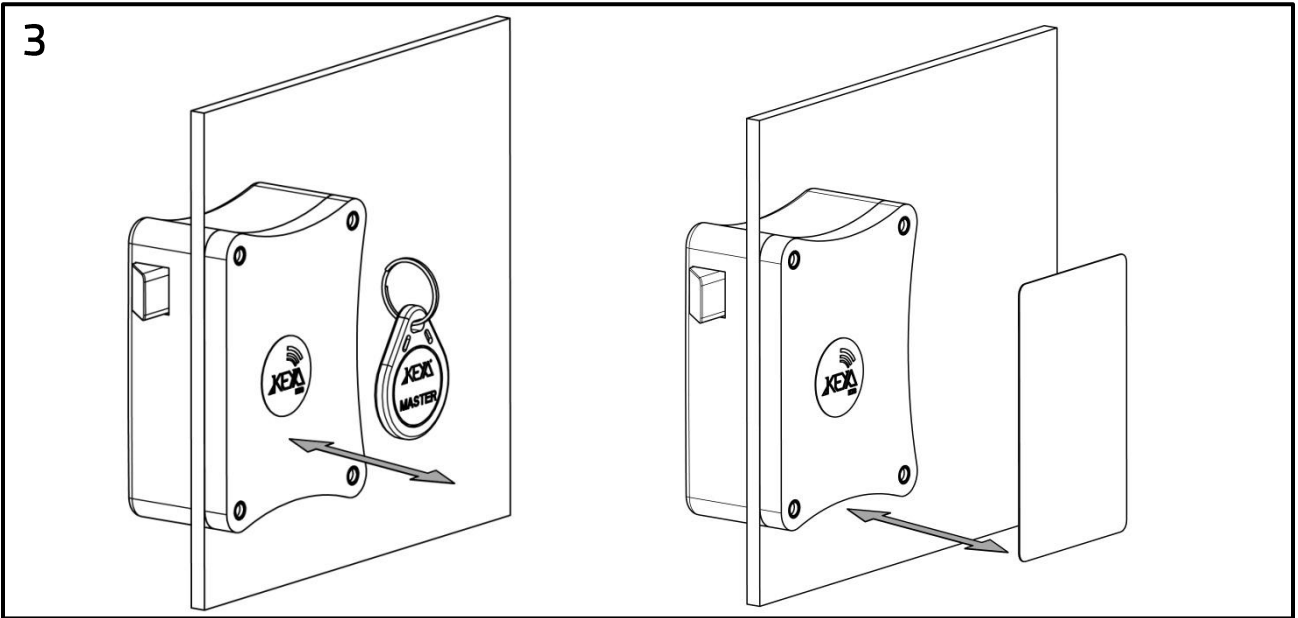
Access by transponder. The transponder code is erased every time the lock is opened, being available for a new user.

Single User mode



Access by transponder. The transponder code is fixed.

Create and delete User cards (only for single user mode)



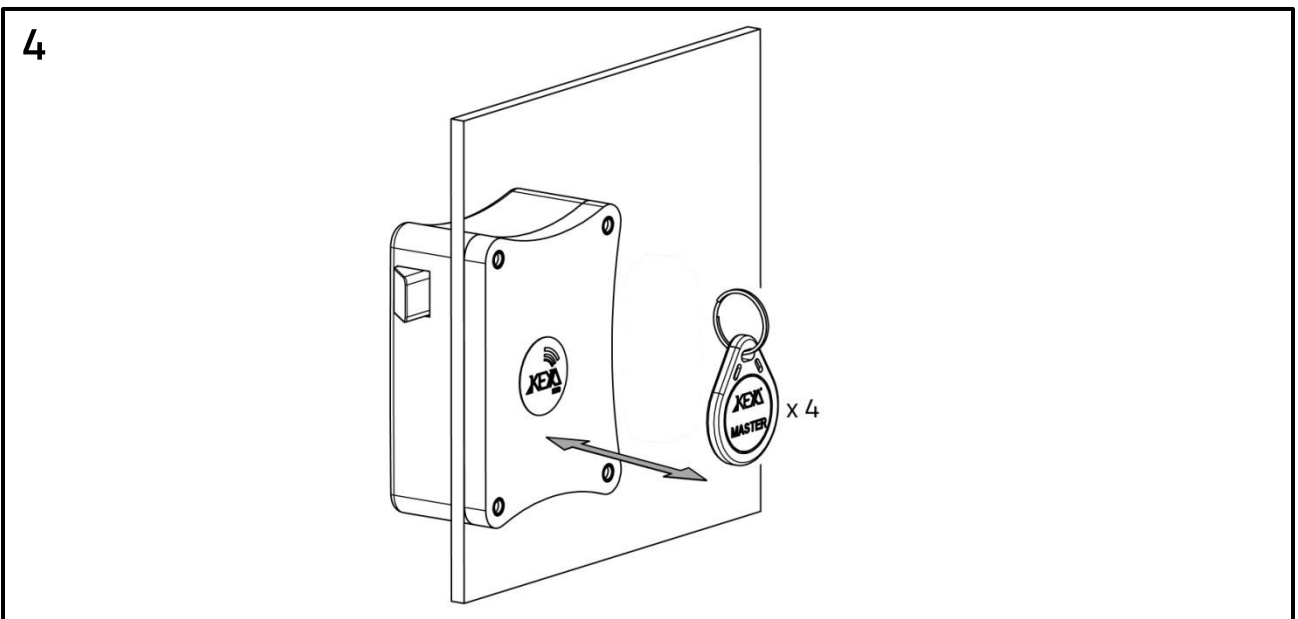
CREATE:

Approach the Master key followed by the new User cards.
Up to 50 User cards can be created per lock.

DELETE:

Approach the Master key followed by the User card.
User card deleted.

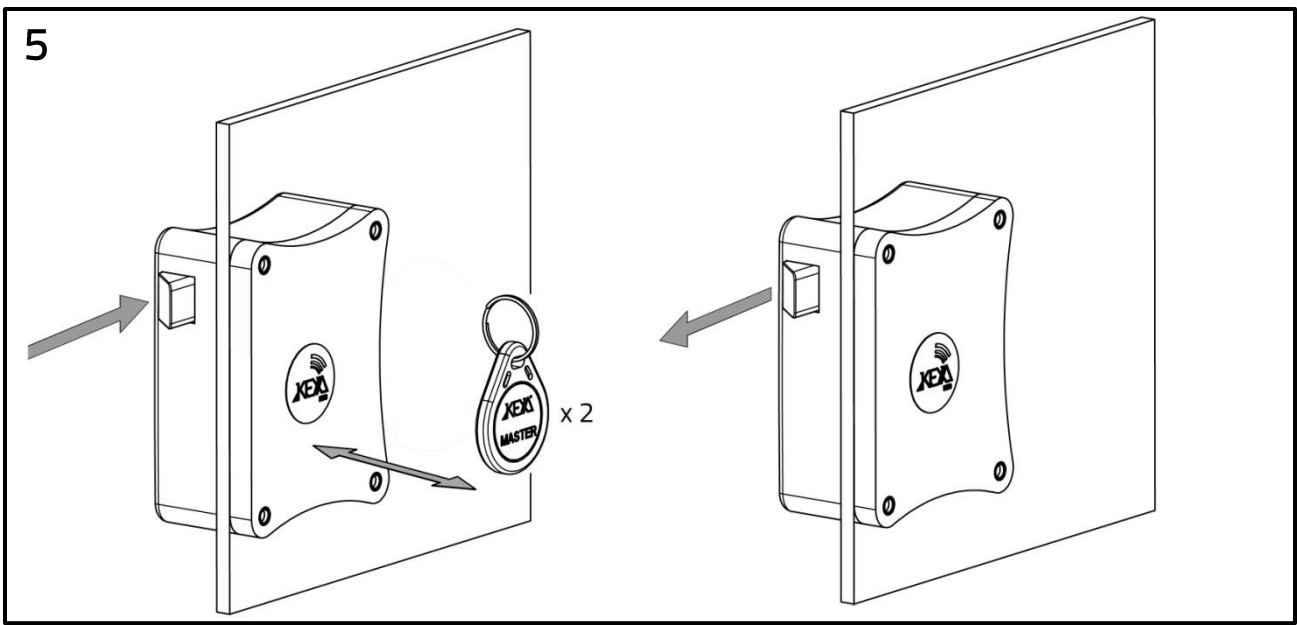
Master code



OPEN:

Approach the Master key 4 times.

Inspection code



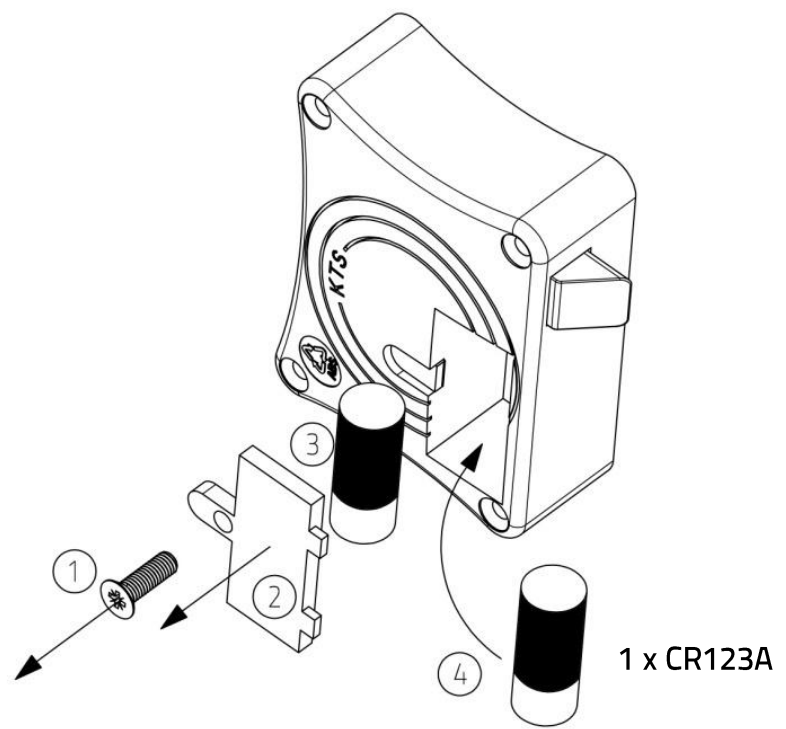
5
OPEN

Approach the Master key 2 times.

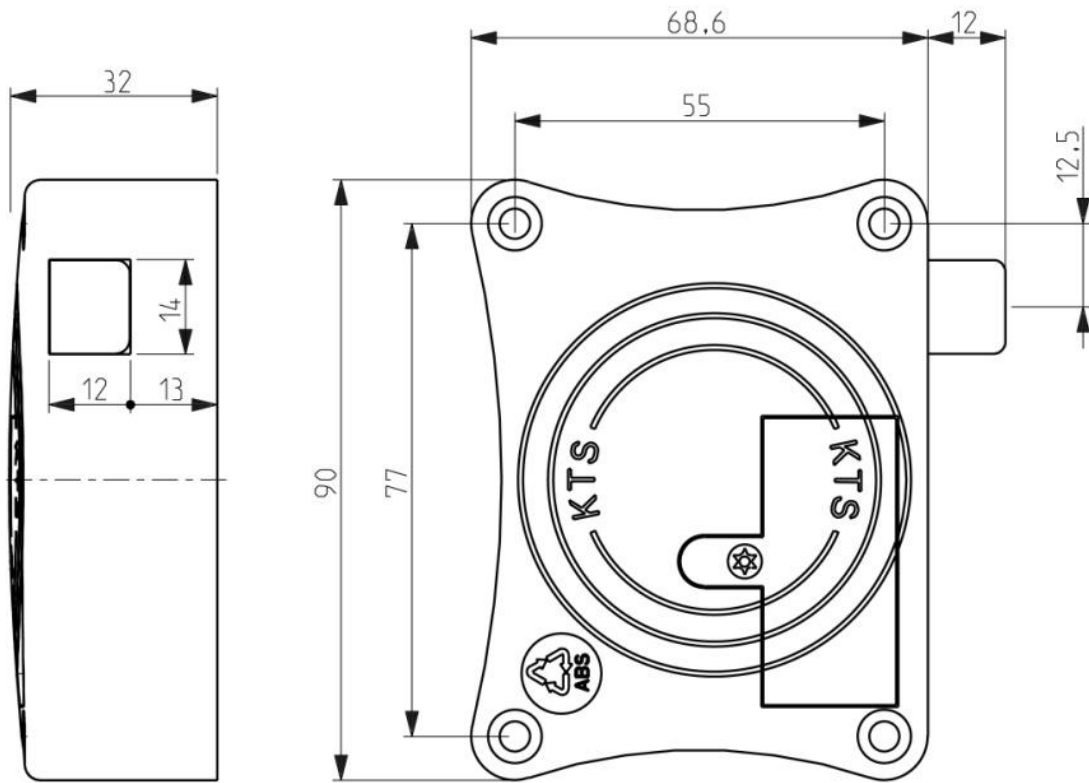
CLOSE

Automatically after 2 seconds.

Battery replacement



Measurements



Technical information

RFID technology: Temic 125kHz

RFID card: ATMEL T5557 / 5567, ISO / IEC 7816

Battery: Lito CR123A

Battery life: 20.000 cycles

Nota: lock for indoor use.



RoHS



